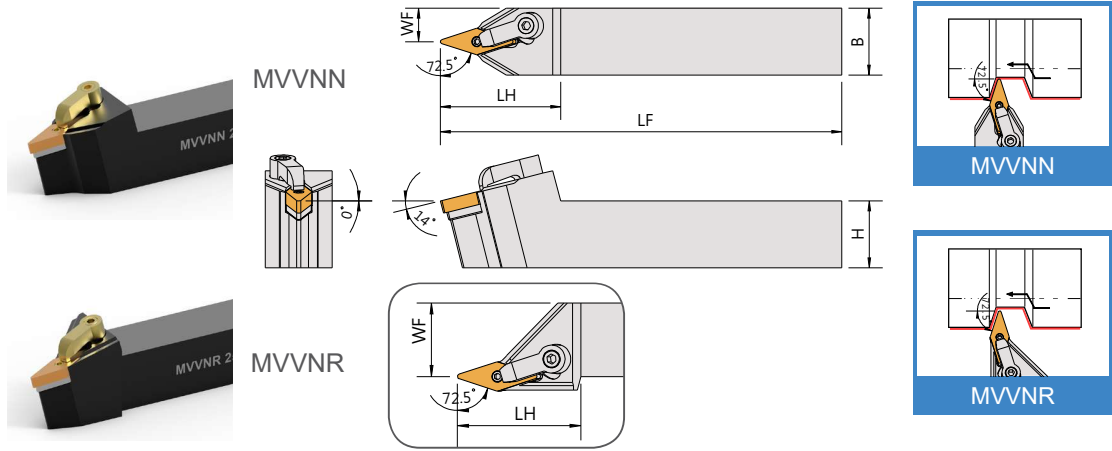
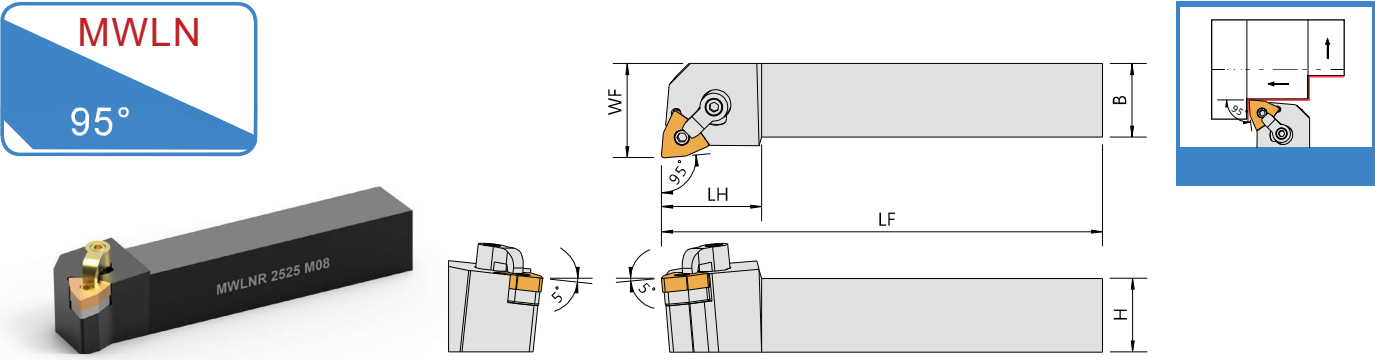


MVVNN
MVVN
72.5°



Order No.	Insert	Dimensions(mm)					Parts				Wrench	
		柄高 H	柄寬 B	長度 LF	頭長 LH	工作寬度 WF						
MVVNN-2020K16	VNMG1604	20	20	125	45	10	SMV-322	LCS-513	CP50-25	CS7-6030	LW020	LW030
MVVNN-2525M16		25	25	150	45	12.5	SMV-322	LCS-513	CP50-25	CS7-6030	LW020	LW030
MVVNN-3225P16		32	25	170	45	12.5	SMV-322	LCS-513	CP50-25	CS7-6030	LW020	LW030
MVVNN-3232P16		32	32	170	45	16	SMV-322	LCS-513	CP50-25	CS7-6030	LW020	LW030
MVVNR/L-2020K16		20	20	125	42	20	SMV-322	LCS-513	CP50-25	CS7-6030	LW020	LW030
MVVNR/L-2525M16		25	25	150	42	25	SMV-322	LCS-513	CP50-25	CS7-6030	LW020	LW030

MWLN
95°



Order No.	Insert	Dimensions(mm)					Parts				Wrench	
		柄高 H	柄寬 B	長度 LF	頭長 LH	工作寬度 WF						
MWLN/L-2020K06	WNMG0604	20	20	125	26	25	SMW-321	LCS-513	CP50-30	CS7-5018	LW020	LW025
MWLN/L-2525M06		25	25	150	26	32	SMW-321	LCS-513	CP50-30	CS7-5018	LW020	LW025
MWLN/L-2020K08	WNMG0804	20	20	125	26	25	SMW-432	LCS-617	CP50-22	CS7-6030	-	LW030
MWLN/L-2525M08		25	25	150	26	32	SMW-432	LCS-617	CP50-22	CS7-6030	-	LW030
MWLN/L-3225P08		32	25	170	26	32	SMW-432	LCS-617	CP50-22	CS7-6030	-	LW030
MWLN/L-3232P08		32	32	170	26	40	SMW-432	LCS-617	CP50-22	CS7-6030	-	LW030